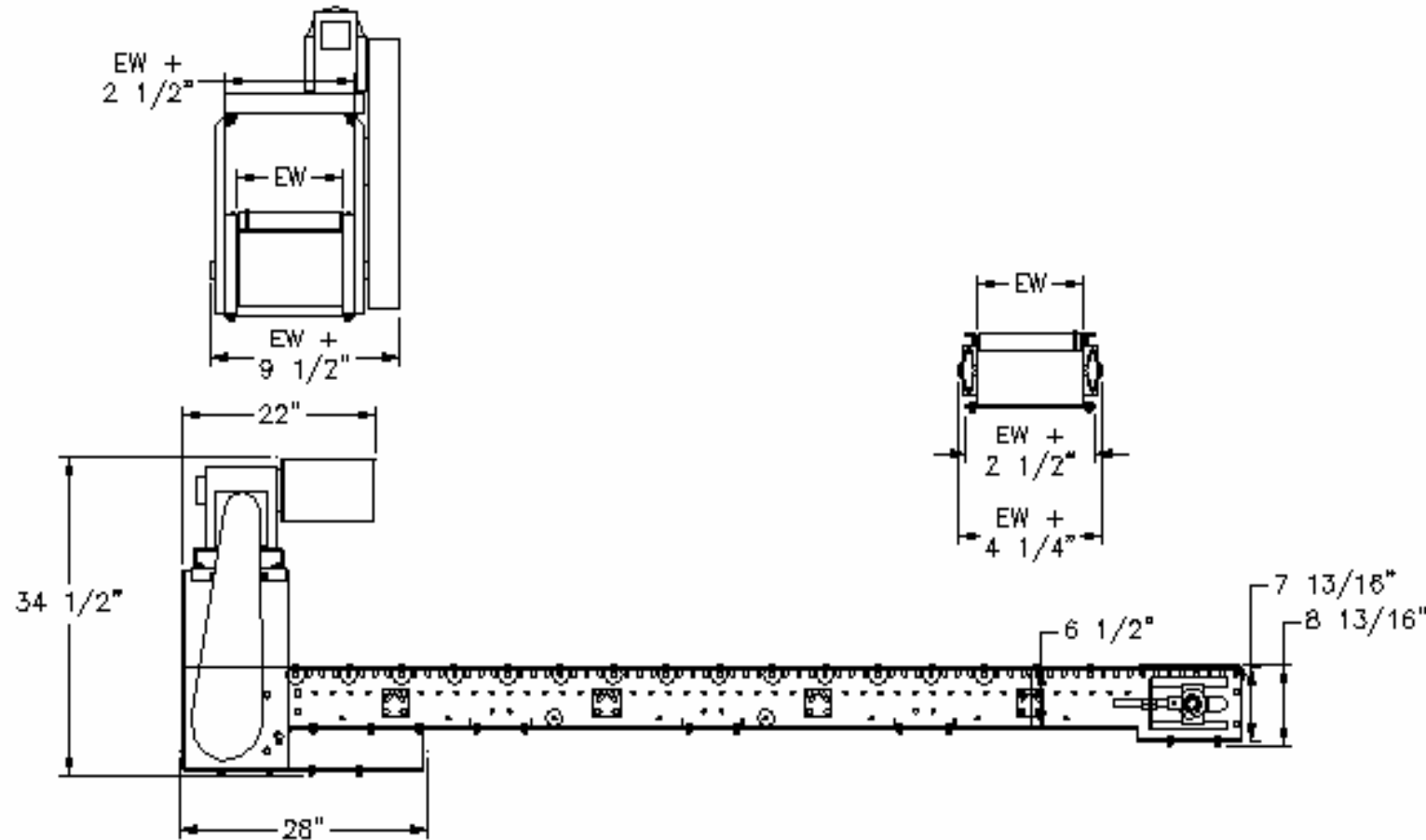


MODEL 610

TOP MOUNT DRIVE

HEAVY DUTY BELT-DRIVEN LIVE ROLLER CONVEYOR

A medium to heavy duty, belt-driven live roller conveyor designed to horizontally move large, awkward items and for use where transfers, side loading or temporary accumulation is required.
(Maximum 2000 Pound Live Load)



TOP MOUNT DRIVE

TOP MOUNT DRIVE

1700 Division Street, New London, WI 54961

Phone: (800) 437-1994

Fax: (920) 982-6800

www.nleco.com